



Planning, Zoning & Building Dept.  
 12300 Forest Hill Blvd., Wellington FL 33414  
 Phone (561) 753-2430  
 Fax (561) 791-4045  
 www.wellingtonfl.gov

<b>Building Department</b>	<b>Replacement Window / Door / Mullion / Shutter Schedule</b>
----------------------------	---

Address: \_\_\_\_\_

Opening Location Number	Window / Door Dimensions (W x H)	Wind Zone <sup>(3)</sup> "4" or "5"	Product Approval NOA or FL #	Product's Approval Pressure <sup>(2)</sup>		Opening's Required Pressure <sup>(3)</sup>		Room Type	EGRESS Window <sup>(1)</sup> Yes / No	MULLION Required Yes / No	SHUTTER Required Yes / No
				(+) PSF	(-) PSF	(+) PSF	(-) PSF				

- (1) - The replacement window shall be permitted to be of the same operating style as the existing window or a style that provides for an equal or greater window opening area than the existing window (FBC 6th Edition 2017, Existing Bldg. Code 702.5)
- (2) - From Product Approval: NOA (Miami-Dade Notice Of Acceptance) or FL # (State Product Approval Number)
- (3) - From Engineering Windloads or WINDLOADS FORM (SEE NEXT PAGE)



**WINDLOADS FOR SINGLE FAMILY, DUPLEX & TOWNHOUSE FORM  
PER TABLE R301.2(2) - FBC RESIDENTIAL - 6<sup>TH</sup> ED. 2017**

FOR BUILDING WITH MEAN ROOF HEIGHT (h) UP TO 30 FEET:

<b>V<sub>ult</sub> 170 MPH</b>	<b>Exposure "C"</b>	<b>Interior Zone 4</b>		<b>Corner Zone 5 *</b>	
		<u>Pos.</u>	<u>Neg.</u>	<u>Pos.</u>	<u>Neg.</u>
		+ 43.68	- 46.20	+ 43.68	- 57.40

\* (Zone 5 is any opening within the corner distance from any corner.)

**MEASURED FIGURES (OR FROM PLANS):**

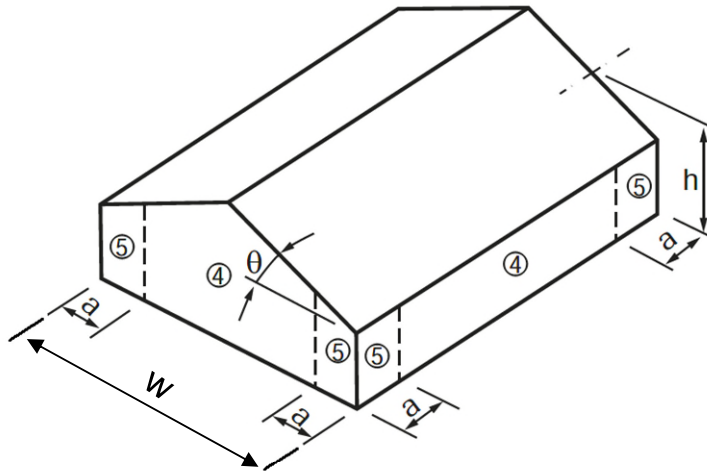
Mean Roof Height (h): \_\_\_\_\_ FT      Width (w): \_\_\_\_\_ FT (narrowest side of building)

**CALCULATED / DETERMINED FIGURES (PER ASCE 7-10):**

**a<sub>h</sub>** = Mean Roof Height X 0.4 = \_\_\_\_\_ FT      **a<sub>w</sub>** = Width X 0.1 = \_\_\_\_\_ FT

**a<sub>L</sub>** = Lesser Value between **a<sub>h</sub>** and **a<sub>w</sub>** = \_\_\_\_\_ FT

**a** = Corner Distance = Greater Value between **a<sub>L</sub>** and **3 Feet** = \_\_\_\_\_ FT



**GARAGE DOOR LOADS FROM TABLE R301.2(4) – BUILDING WITH MRH UP TO 30 FEET  
BASIC WIND SPEED (V<sub>ult</sub>) 170 MPH – 3 SECOND GUST**

<b>Roof Angle &gt;0 Degrees Effective Area:</b>		<b>Exposure "C"</b>	
<u>Width (Ft)</u>	<u>Height (Ft)</u>	<u>Pos.</u>	<u>Neg.</u>
9	7	+ 38.6	- 43.7
16	7	+ 37.0	- 41.2

12300 West Forest Hill Boulevard Wellington, FL 33414  
Phone: (561) 753-2430 Fax: (561) 791-4045 www.wellingtonfl.gov